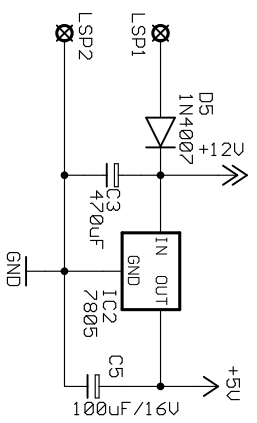
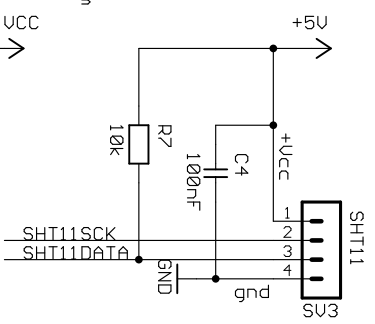


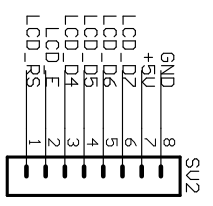
Postaviti obavezno hladnjak na 7805



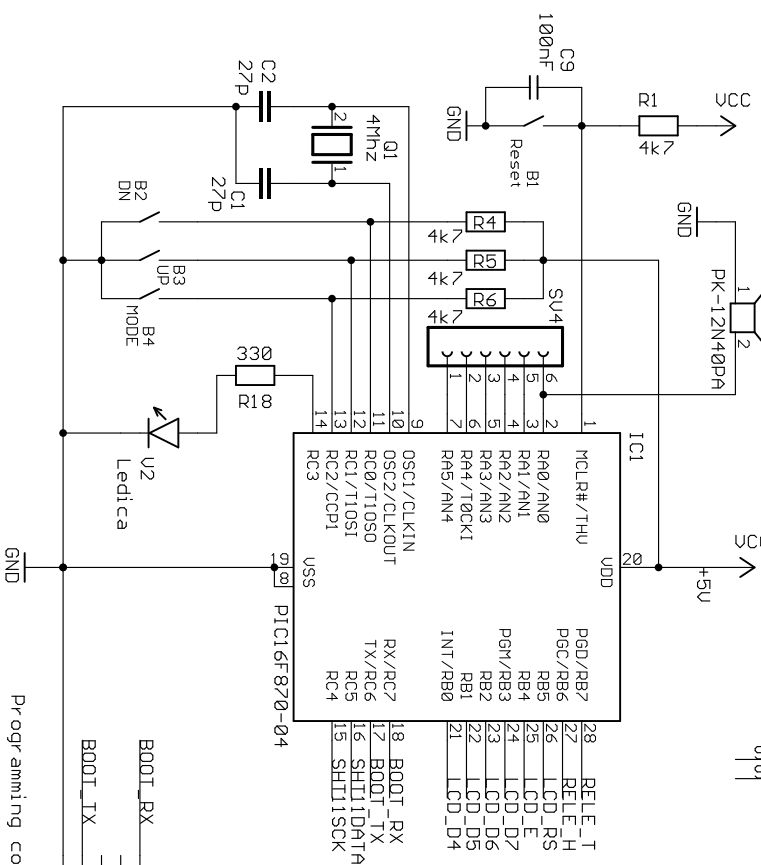
(*) Piezo Bipper sa elektronikom



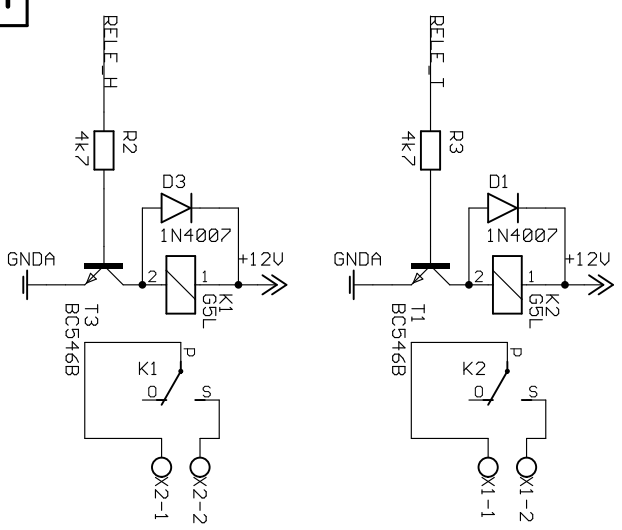
www.sensirion.com



LCD 16x2 connector



Prrograming connector



Regulator Temperature i Vlage
version 1.7
autor: Nebojsa Pejicic
npejic@bankerinter.net
nel@ep@unet.yu
e@r@aktikum.cjb.net

SHT11 RTIU V1.7
sht11_pic
16-05-2003 17:24:34
Sheet: 1/1