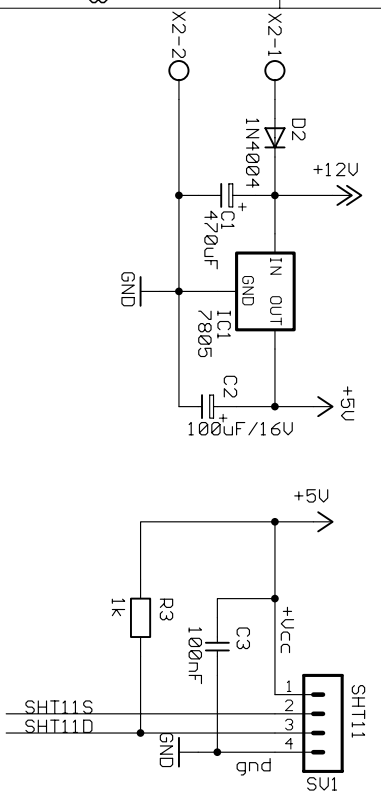
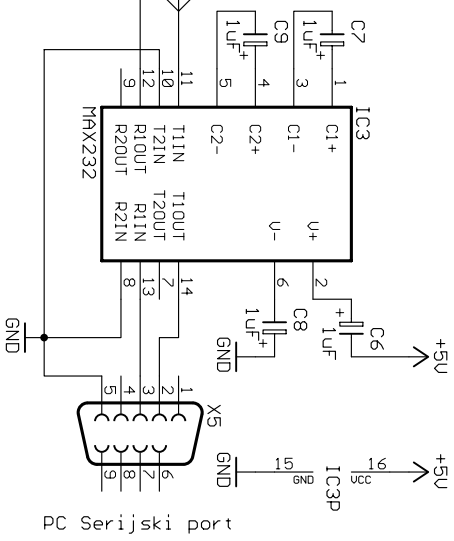
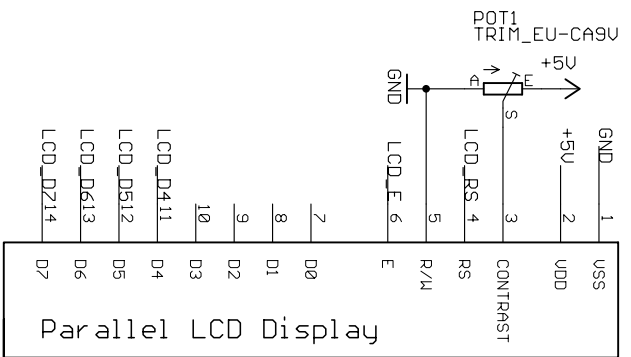
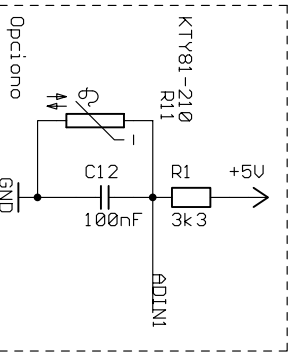
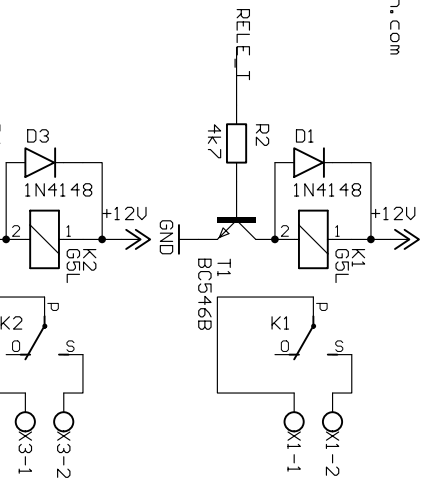
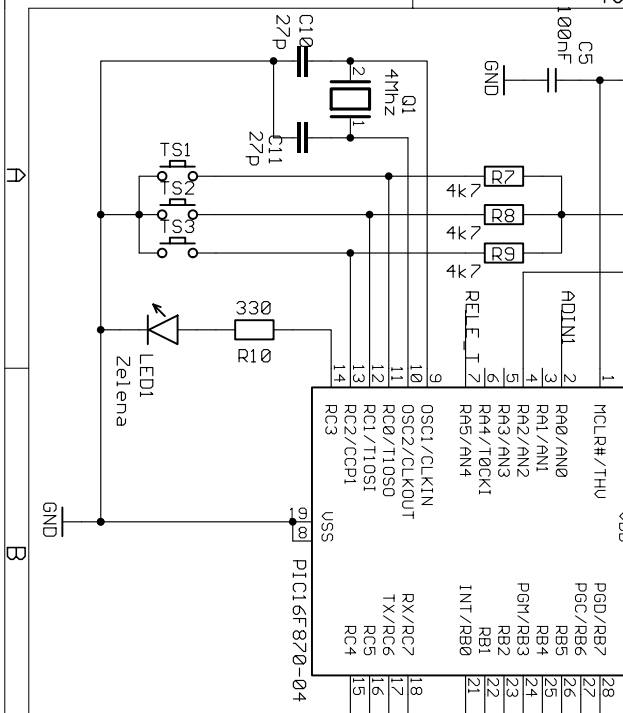
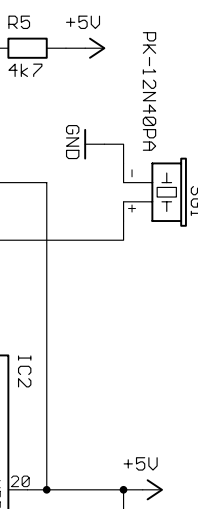


Postaviti obavezno hladnjak na 7805

www.sensirion.com



(* Piezo Bipper sa elektrnikom



Regulator Temperature i Usage
Version 2.0

autor: Nebojsa Pejdic
npejdic@praktikum.co.yu
http://praktikum.co.yu

SHT11 RTIU V2.0

sht11-pic-2

1/26/2006 12:34:22

Sheet: 1/1

PC Serijski port